



draganFLY™
Above All Else™ ESTABLISHED 1998

Above All Else™

OVER 20 YEARS OF HISTORY IN THE UNMANNED AERIAL VEHICLE INDUSTRY



Cameron Chell

Direct Line: 1-310-658-4413

Cameron.Chell@Draganfly.com

Draganfly Inc.

Toll Free: 1 800-979-9794

You Must Read This Before Continuing

This corporate presentation ("Presentation") is confidential and contains proprietary non-public information regarding Draganfly Inc. (the "Company", "we", "us" or "our").

This Presentation is for information purposes only and does not constitute an offer to sell or a solicitation of an offer to buy securities of the Company. The information contained herein has been prepared for the purpose of providing interested parties with general information to assist them in their evaluation of the Company. Under no circumstances may the contents of this Presentation be reproduced, in whole or in part, in any form or forwarded or further redistributed to any other person. Any forwarding, distribution or reproduction of this document in whole or in part is unauthorized. By accepting and reviewing this document, you acknowledge and agree (i) to maintain the confidentiality of this document and the information contained herein, and (ii) to protect such information in the same manner you protect your own confidential information, which shall be at least a reasonable standard of care. The Company has not authorized anyone to provide prospective purchasers with additional or different information. In this Presentation all amounts are in Canadian dollars unless stated otherwise.

This Presentation constitutes "forward-looking statements," within the meaning of applicable Canadian securities laws. Forward-looking statements are neither historical facts nor assurances of future performance. Instead, they are based on our current beliefs, expectations, assumptions and analyses made by us regarding the future of our business, future plans and strategies, our operational results and other future conditions. These forward-looking statements appear in a number of places throughout this Presentation and can be identified by the use of words, such as "anticipates," or "believes," "budget," "estimates," "expects," or "is expected," "forecasts," "intends," "plans," "scheduled," or variations of such words and phrases or state that certain actions, events or results "may," "might," "will," "would," "could", "should," "continue," or be taken, occur or be achieved. These forward-looking statements relate to, among other things, our future financial performance, financial condition, liquidity, levels of activity, performance, prospects, growth, goals or achievements or other future events. Although we base the forward-looking statements contained in this presentation on assumptions that we believe are reasonable, these forward-looking statements involve known and unknown risks, uncertainties and other factors that may cause actual performance and financial results in future periods to differ materially from those anticipated in our forward-looking statements. Forward-looking statements do not take into account the effect that transactions or non-recurring or other special items announced or occurring after the statements are made have on our business. For example, they do not include the effect of asset impairments or other changes announced or occurring after the forward-looking statements are made. The financial impact of such transactions and non-recurring and other special items can be complex and necessarily depends on the facts particular to each of them. Despite a careful process to prepare and review the forward-looking statements, there can be no assurance that the underlying opinions, estimates, and assumptions will prove to be correct. The purpose of the forward-looking statements is to provide the reader with a description of management's expectations regarding our anticipated future performance and may not be appropriate for other purposes. Furthermore, unless otherwise stated, the forward-looking statements contained in this Presentation are made as of the date of this Presentation and we do not undertake any obligation to update publicly or to revise any of the included forward-looking statements, whether as a result of new information, future events or otherwise unless required by applicable legislation or regulation. The forward-looking statements contained in this document are expressly qualified by this cautionary statement.

This Presentation also contains or references certain market, industry and peer group data which is based upon information from independent industry publications, market research, analyst reports and surveys and other publicly available sources. Although we believe these sources to be generally reliable, such information is subject to interpretation and cannot be verified with complete certainty due to limits on the availability and reliability of raw data, the voluntary nature of the data gathering process and other inherent limitations and uncertainties. We have not independently verified any of the data from third party sources referred to in this presentation and accordingly, the accuracy and completeness of such data is not guaranteed.

This Presentation further contains future-oriented financial information and financial outlook information (collectively, "FOFI") as defined under Canadian securities laws, prepared by management of the Company about the Company's reasonably estimated prospective results of operations, revenue, cash flows, and components thereof, all of which are subject to the same assumptions, risk factors, limitations, and qualifications as set forth in the above paragraphs. Readers are cautioned that FOFI are not guarantees of future performance, and should not be considered as such, since actual results may differ materially from those expressed in FOFI. The Company and its management believe that FOFI has been prepared on a reasonable basis, reflecting management's best estimates and judgments. FOFI contained in this Presentation were made as of the date of this Presentation and is provided for the purpose of describing management of the Company's belief of the anticipated effects of the Offering on the Company's business operations. The Company disclaims any intention or obligation to update or revise any FOFI contained in this Presentation, whether as a result of new information, future events or otherwise, unless required pursuant to applicable law. Readers are cautioned that the FOFI contained in this document should not be used for purposes other than for which it is disclosed herein.

Draganfly

Draganfly is a global leader in unmanned aircraft manufacturing and autonomous systems development. Draganfly is an award winning, industry-leading creator of quality cutting edge autonomous systems and software and has been recognized as being at the forefront of technology for over 22 years.

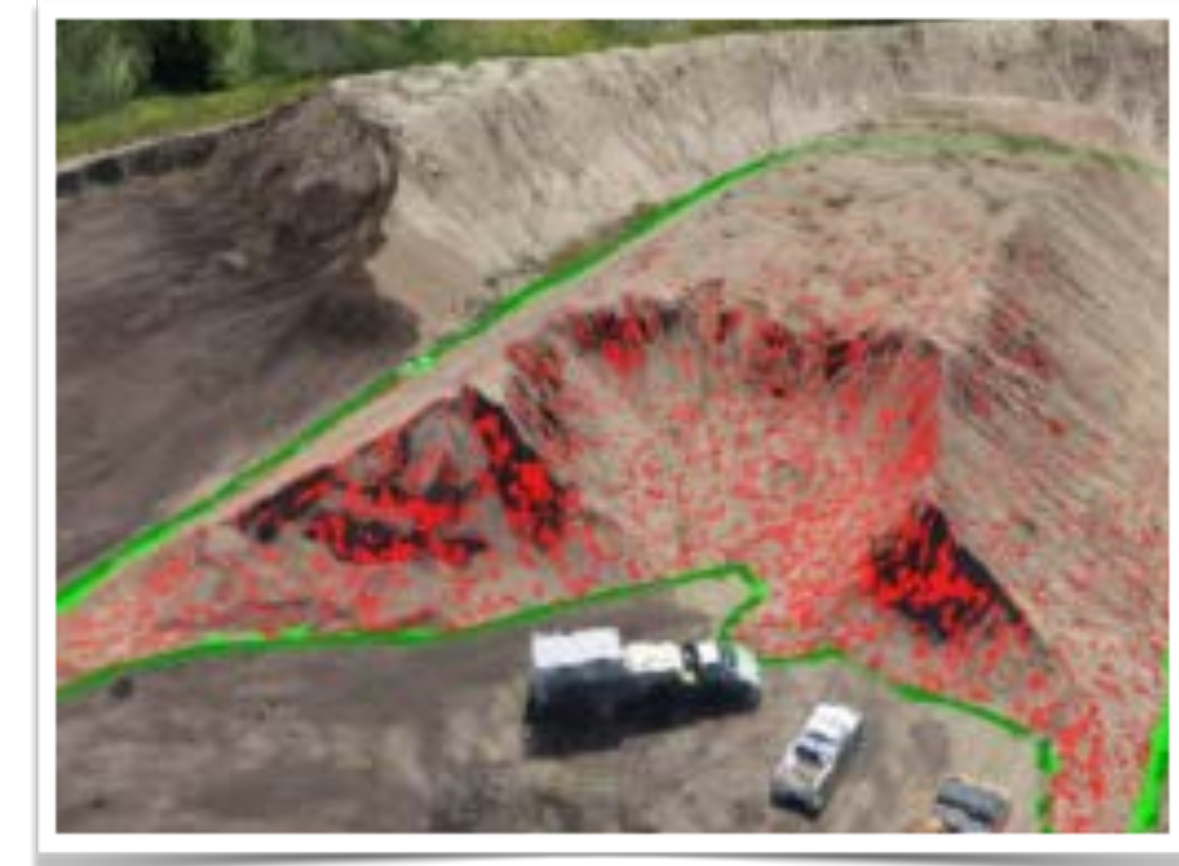
Draganfly services the **military** and **commercial** markets with its Contract Engineering, Product Development & Sales, Managed Services and Data Services.

Contract Engineering

Product Development & Sales

Managed Services

Data Services



Management Team



Cameron Chell
CEO & CO-FOUNDER

Cameron works with executives and companies to determine what is most important and specifically how to get it done.

Cameron has worked in a business development capacity his entire career, working with brands across the globe, specializing in companies across North America, Europe, and the Middle East.

Since the founding of BIG in 2007, Cameron has also co-founded: Slyce (TSX: SLC), Urthecast (TSX: UR) among other companies.



Paul Sun
CHIEF FINANCIAL OFFICER

Paul Sun has over 20 years of business experience and has held numerous senior roles at investment banks including Scotia Capital, Desjardins, and Beacon Securities.

Paul has provided financial solutions from small startups to billion dollar market cap companies and has been involved in many transactions across the entire capital structure.



Zenon Dragan
VP PRODUCT DESIGN
& CO-FOUNDER

Zenon Dragan founded Draganfly Innovations in 1998. Since then, the company has won several major awards, including the SABEX, ABEX, and Popular Science's 'Best of What's New' award.

The Draganflyer X4-ES made its mark on the world in May 2013 when it was used by the Saskatoon RCMP to locate a missing driver after a single vehicle roll-over accident and was credited as the first ever small Unmanned Aerial System to save a person's life.

Zenon's influence and experience has helped Draganfly become an industry leader.



Patrick Imbasciani
CHIEF OPERATING OFFICER

A seasoned business professional with over 20 years of experience developing enduring relationships in domestic and international markets,

During his eight years of service in the United States Marine Corps, he earned his Bachelors in Political Science from North Carolina State University.

In addition to delivering UAS into agriculture, insurance, energy, and other industries as PrecisionHawk's Senior Director of International Business Development, Patrick personally led efforts to collect data with drones in Ecuador following a deadly earthquake, Louisiana during mass floods, and The Bahamas in the wake of Hurricane Matthew.

Board of Directors



CAMERON CHELL
CHAIRMAN

Mr. Chell is the Co-Founder of Business Instincts Group, Inc. A venture creation, business development and product development accelerator. Mr. Chell has been a technology entrepreneur for over 30 years and has spent his career growing a diverse collection of high-potential ideas into revolutionary companies that have changed the way we experience the world. Mr. Chell takes a very hands-on leadership role in projects, infusing innovation and adoption with operational principles of clarity, alignment and measurement into the culture of every company he works with.



OLEN AASEN
DIRECTOR

Mr. Aasen is a corporate and securities lawyer with more than 13 years of experience in corporate, securities and regulatory matters. He has been the Corporate Secretary, General Counsel or Vice President, Legal at various Canadian and U.S.- listed companies. Mr. Aasen obtained a J.D. from the University of British Columbia in 2006 and was called to the British Columbia Bar in 2007. Mr. Aasen was also appointed to the 2016 Legal 500 GC Powerlist for Canada.



ANDREW CARD
DIRECTOR

Mr. Andy Card, the second longest-tenured White House Chief of Staff, has served in senior government roles under three U.S. Presidents. Mr. Card serves on the Board of Directors of public corporation Union Pacific, on the Business Advisory Board of BrainStorm Cell Therapeutics, on the Advisory Board of the U.S. Chamber of Commerce, and on a number of non-profit boards. He is also a professional speaker represented by the Washington Speakers Bureau and joined NBC News as a contributor in April 2017.

Mr. Card, appointed in November 2000, served as Chief of Staff to President George W. Bush from January 2001 to April 2006. Prior to his tenure as White House Chief of Staff, Mr. Card managed and ran the Republican National Convention in Philadelphia at the request of nominee Texas Governor George W. Bush. Before that, Mr. Card was Vice President-Government Relations for General Motors Corporation, one of the world's largest automobile manufacturers. From 1993 to 1998, Mr. Card was President and Chief Executive Officer of the American Automobile Manufacturers Association, the trade association whose members were Chrysler Corporation, Ford Motor Company, and General Motors Corporation. When Chrysler became part of Daimler Corporation, Mr. Card oversaw the dissolution of the nearly 100-year-old trade association.

Mr. Card also served as Deputy Chief of Staff and then as a Cabinet Member for President George H.W. Bush as the 11th Secretary of Transportation. Prior to that, he served as Special Assistant (1983 to 1987) and later as Deputy Assistant to the President and Director of Intergovernmental Affairs for President Ronald Reagan (1988) where he was a liaison to governors, statewide elected officials, state legislators, mayors, and other elected officials. From March 1987 until March 1988, Mr. Card ran the successful New Hampshire Presidential Primary Campaign for George H. W. Bush.

Mr. Card is a graduate of the University of South Carolina with a B.S. in Engineering. He also attended the U.S. Merchant Marine Academy and the John F. Kennedy School of Government at Harvard University. Mr. Card served in the U.S. Navy from 1965 to 1967.



SCOTT LARSON
DIRECTOR

Mr. Larson brings over 20 years of combined corporate finance, technology development and entrepreneurial experience to the Board. Currently CEO of Kater, a Vancouver-based mobility as a service (MaaS) company building out an integrated intermodal transportation platform incorporating public transportation, buses, taxis and ride hailing vehicles into a single service. Previously, Mr. Larson has been CEO and co-founder of Helios Wire, a satellite company building out a space-enabled IoT/M2M network, and was CEO and co-founder of UrtheCast. Mr. Larson helped scale the company from its inception, taking it public on the Toronto Stock Exchange, raising \$200 million, and leading the company to 250 employees over five years with seven offices around the world.



JUSTIN HANNEWYK
DIRECTOR

Mr. Hannewyk is the co-founder of Drone Logics Systems and has been consulting with enterprise clients on the integration of drones for over a decade.

Working closely with international companies in industries such as mining, forestry, energy and entertainment as well as advising governmental bodies, Mr. Hannewyk oversees the design and delivery of systems to meet client's needs. A progressive and forward-thinker, Mr. Hannewyk draws from industry insight to recognize customer requirements and pinpoint areas where technology can be leveraged to make better business decisions.



DENIS SILVA
DIRECTOR

Mr. Silva is a corporate and securities partner at law firm Gowling WLG (Canada) LLP in Vancouver. Mr. Silva has 12 years of experience in corporate, securities, mining and regulatory legal experience and has acted for a wide variety of companies listed on Canadian and US exchanges, with a focus on technology and mining. Denis holds a BA from University of British Columbia, MPA from Queen's University and LLB from University of Windsor.



JOHN MITNICK
DIRECTOR (In Coming)

Former General Counsel for the United States Department of Homeland Security.

From 2001 to 2002, he served as a Counsel to the Assistant Attorney General of the Antitrust Division within the United States Department of Justice. From 2002 to 2004, he served as an Associate General Counsel for Science and Technology at the United States Department of Homeland Security.

During the presidency of George W. Bush, he served as Deputy Counsel of the Homeland Security Council (2004-2005) and then as Associate Counsel to the President (2005-2007).

Board of Advisors



MOLLY WILKINSON
ADVISOR

An accomplished executive with extensive senior-level public sector experience in policy and regulations, management, and government relations (federal and state).

A proven track record of effective oversight of multi-billion dollar budgets, projects and national initiatives. Expert at entering highly complex and fast-moving situations and achieving immediate results.

Specialties: Regulatory Process, Management, Law, Government Relations, Financial Services Policy, Acquisition Policy, Government Operations



JULIE MYERS WOOD
ADVISOR

Julie Lyn Myers Wood is an American prosecutor and former government official. She was the Assistant Secretary of Homeland Security for Immigration and Customs Enforcement. She assumed the job following a recess appointment by President George W. Bush on January 4, 2006.

Previously, Myers worked for the Office of Independent Counsel under Kenneth Starr and was a lead prosecutor in the Independent Counsel's failed case against Susan McDougal. She currently is CEO for Guidepost Solutions, LLC, a leading investigative and compliance consulting firm.

After leaving the Office of Independent Counsel, Myers was appointed Assistant Secretary for Export Enforcement at the Department of Commerce. In that capacity, she oversaw 170 employees and a \$25 million budget for one year.



EDMUND MOY
ADVISOR

Edmund C. Moy is a public servant, senior executive, commentator, author, and director with a successful track record in both publicly and privately held companies, and in the public sector.

From 2006-2011 he served as Director of the United States Mint, the world's largest manufacturer of coins and medals. He was appointed by the President George W. Bush and unanimously confirmed by the U.S. Senate.

Under his leadership, he increased profitability 62% to over \$1 billion a year, increased revenue 213% to \$4.97 billion, and increased precious metal bullion sales by 975% to a record \$3.5 billion annually.

From 2001-2006, he served as a Special Assistant to the President for Presidential Personnel at the White House and assisted the President of the United States in staffing most cabinet departments and independent agencies as well as helped form the U.S. Department of Homeland Security.



DR. JACK CHOW
ADVISOR

Dr. Chow held the rank of ambassador as the Special Representative on Global HIV/AIDS for Secretary of State Colin Powell and as the Deputy Assistant Secretary of State for Health and Science, the first U.S. diplomat of ambassador rank appointed to a public health mission. He led American diplomatic efforts in the establishment of the Global Fund to Fight AIDS, Tuberculosis, and Malaria, and in countering global infectious diseases and bioterrorism threats.

In previous positions, Dr. Chow served as a senior official at the State Department's global affairs office, both the House and Senate Appropriations Committees, the Public Health Service at HHS, the Fogarty International Center of NIH, and the White House Office of Science and Technology Policy. In the private sector, he has been a consultant on global health at the RAND Corporation, McKinsey & Company, and PRTM/PwC.

He is currently Distinguished Professor on Global Health at Carnegie Mellon University, Heinz College for Public Policy. He has served multiple times as a Sharkey Distinguished Visiting Scholar at Seton Hall University's School of Diplomacy and International Affairs. He was a 2013 Fellow at the Harvard Advanced Leadership Initiative, where he conducted research on the structure and design of national strategic policies.



CAPTAIN LARRY VINCENT
(USN, Ret.)
ADVISOR

Captain Vincent currently serves as Executive Officer, Defence Counterintelligence and Security Agency within the Office of Undersecretary for Intelligence and Security of the United States.

Previously, Captain Vincent was in charge of Russian Engagements for the Chief of Naval Operations of the United States and served as the Operations Center Director for all Naval and Marine Corps Forces in Europe and Africa. He was the Commodore for the Helicopter Sea Combat Wing, responsible for training, and equipping half of the Navy's helicopter fleet, along with the MQ-8 Firescout, the Navy's first operational unmanned helicopter. He was also the Division Chief for Strategic Effects working for Chairman Joint Chiefs of Staff within the Department of Defence.

Vincent's awards include three Legions of Merit, four Defense Meritorious Service Medals, four Navy Commendation Medals, and various unit and campaign ribbons.

Innovation Timeline & Milestones

1999

First Quadcopter

2010

First Drone 2-Axis Camera Stabilization

2017

Patents Rotor and Wheel Combination

2001

First Drone with Video

2012

First Drone Dual Payload

2018

Patents VTOL with Folding Wing

2005

First Drone with Self Correcting Positioning

2013

First Life Saved

2019

Tango 2 with Patented Dual Wings

2006

First Drone with Stabilized Video

2014

First Drone Inducted to Smithsonian

2019

Solar Powered Full Day Flight Time

2008

Drone Federally Approved in North America

2014

Patents Folding Wheel Design

2009

First Drone Use by Law Enforcement

2015

Inducted to National Law Enforcement Museum

2020



Smithsonian
National Air and Space Museum

The Draganfly Story

Draganfly, incorporated in 1998, is considered the oldest commercial drone company in the world.

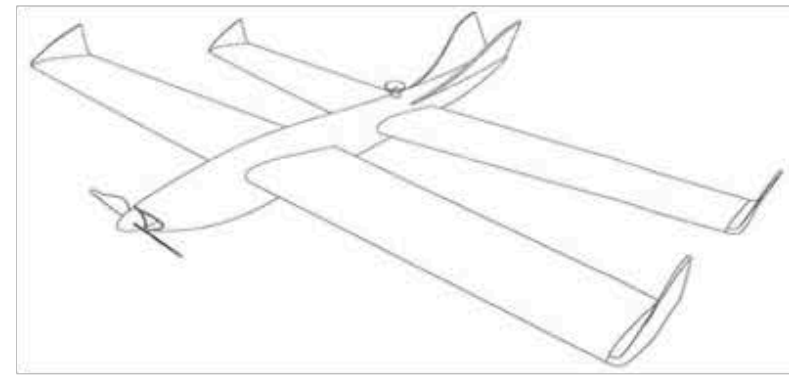
A company with a number of industry firsts and like the development of the first quadcopter drone, the first drone to save a life, the first drone to be inducted into the Smithsonian National Air & Space Museum.

Draganfly has built its market presence by continually innovating and delivering industry firsts related to detection, defending and delivering solutions to enterprise and government.

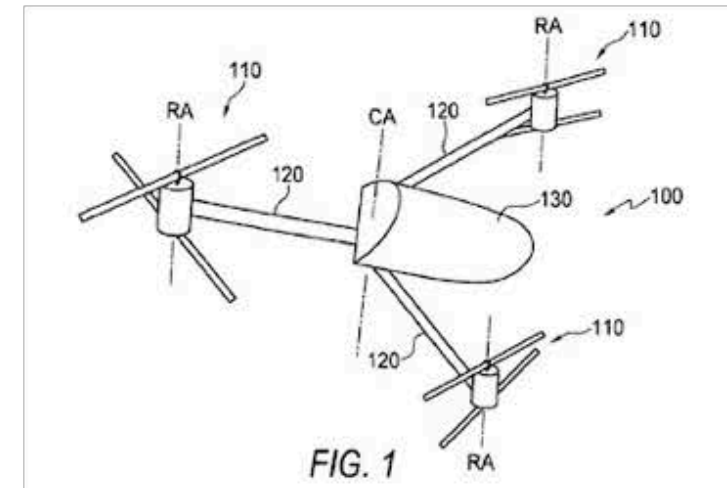
This Draganflyer quad-rotor, produced by Draganfly was the first public-service drone to save a human life in 2013.

IP Portfolio: A Company of Firsts

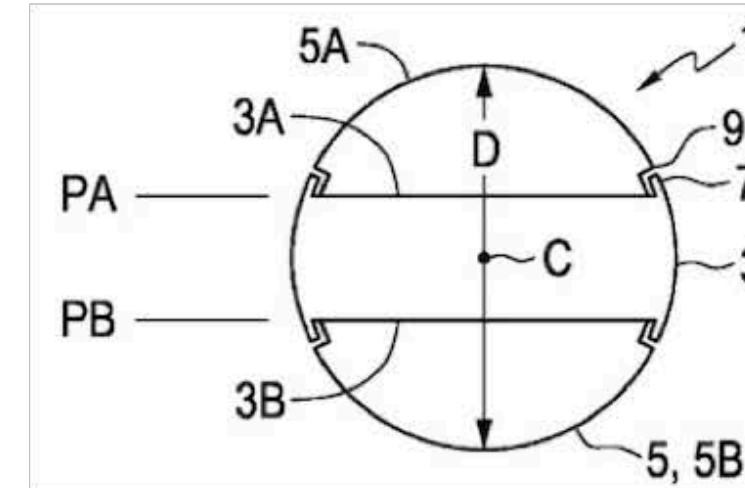
Name: Unmanned Aerial Vehicle
 Patent Number: 117,209
 Issued: 07/10/08



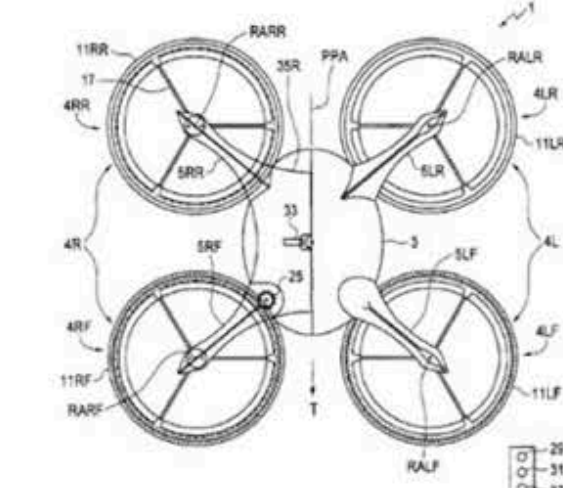
Name: Dual Rotor Helicopter with Tilted Rotational Axes
 Patent Number: 8,052,081
 Issued: 11/08/11



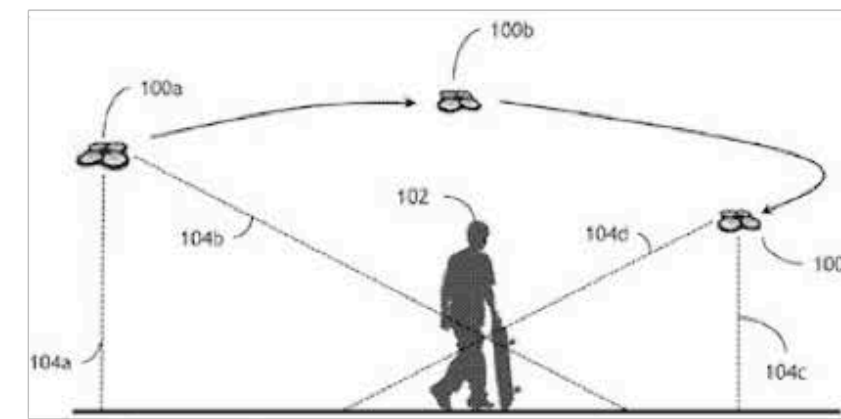
Name: Wheel with Folding Segments
 Patent Number: 8,753,155 & 2,787,075
 Issued: 06/17/14



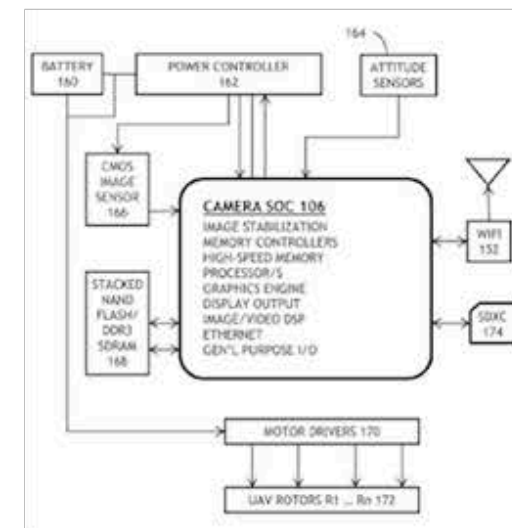
Name: Vehicle with Aerial and Ground Mobility
 Patent Numbers: 2,787,279 & 9,598,171
 Issued: 03/21/17



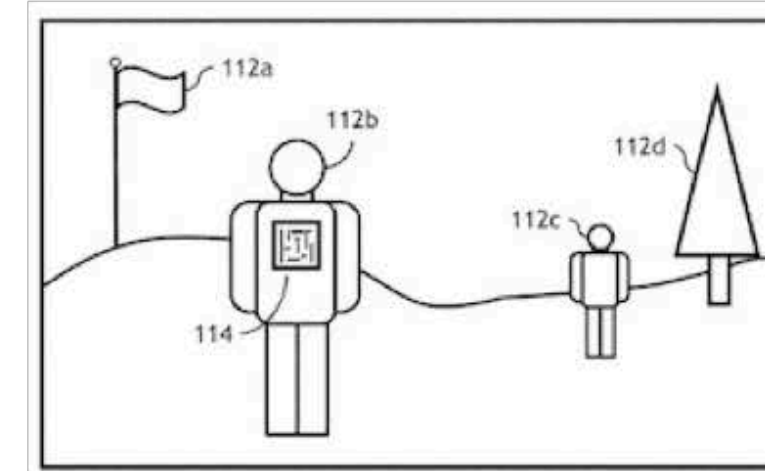
Name: Pixel Based Image Tracking System for Unmanned Aerial Vehicle (UAV) Action Camera System
 Patent Number: 9,442,485 & 9,785,147
 Issued: 10/10/17



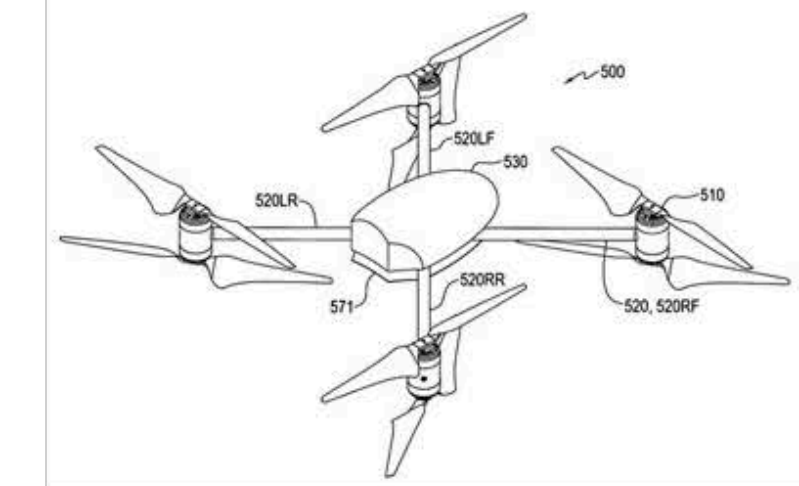
Name: Cascade Recognition for Personal Tracking via Unmanned Aerial Vehicle (UAV)
 Patent Numbers: 9,710,709 & 9,892,322
 Issued: 02/13/18



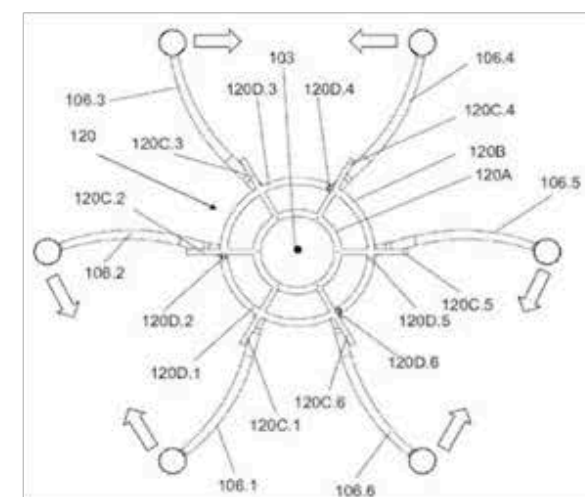
Name: Action Camera System for Unmanned Aerial Vehicle
 Patent Number: 9,769,387 & 15/707,752
 Issued: 09/19/17



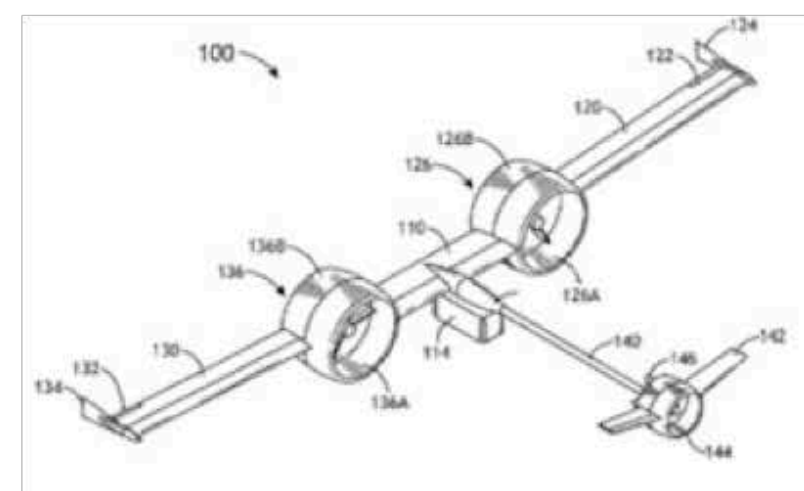
Name: Helicopter with Folding Rotor Arms
 Patent Number: 8,292,215
 Issued: 10/23/12



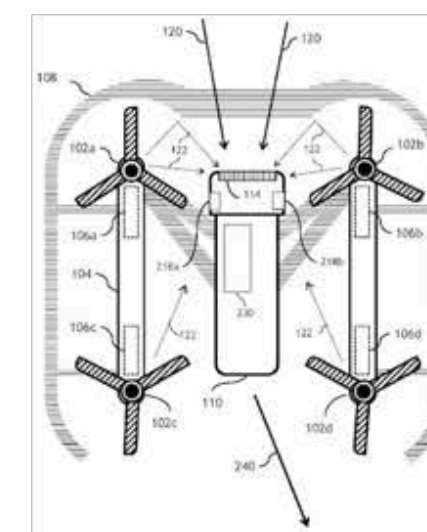
Name: Multi-Rotor UAV with Compact Folding Rotor Arms
 Patent Number: 10,035,581
 Allowed: 07/31/18



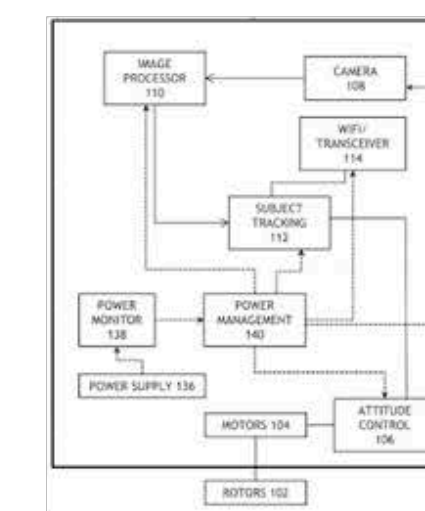
Name: Vertical Takeoff and Landing Unmanned Aircraft System
 Patent Number: 10,059,442
 Applied: 08/28/18



Name: Real-Time Noise Reduction System for Dynamic Motor Frequencies Aboard an UAV
 Patent Number: 9,489,937
 Issued: 11/08/16



Name: System and Method for Adaptive Y-Axis Power Usage and Non-Linear Battery Usage for UAV Equipped with Action Camera System
 Patent Numbers: 9,511,878 & 14/802,871
 Issued: 12/06/16



Just One of Our Patents

DJI Loses Drone Patent Fight, Could Close Door to US Sales



<https://bit.ly/3ecsl7e>

DJI Drones Could Be Kicked Out of US Market After Losing Patent Suit

PetaPixel

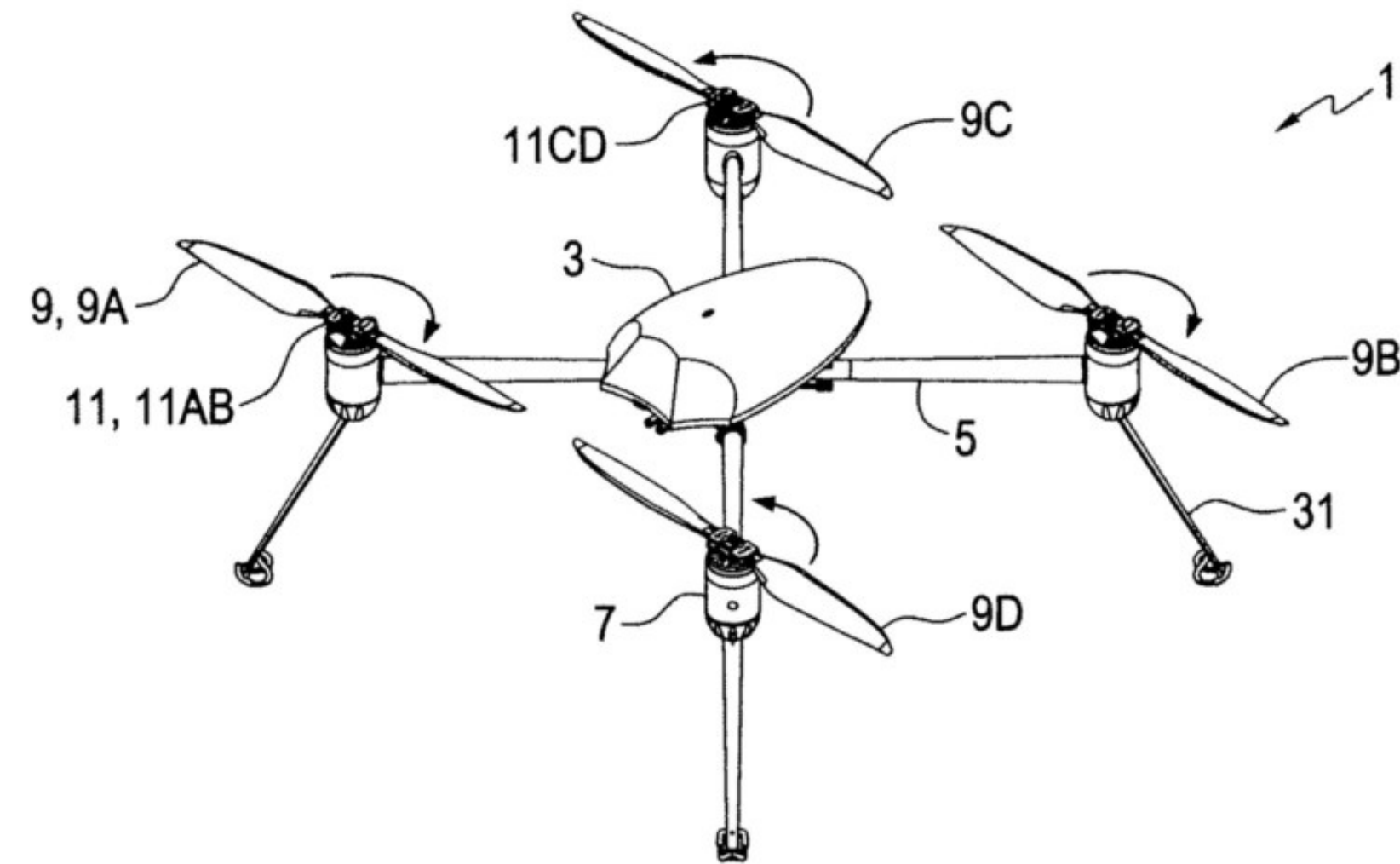
https://bit.ly/DJI_Patent_02

Judge Rules DJI Infringed Patent
Recommends Ceasing Sales and Imports of Most DJI Drones



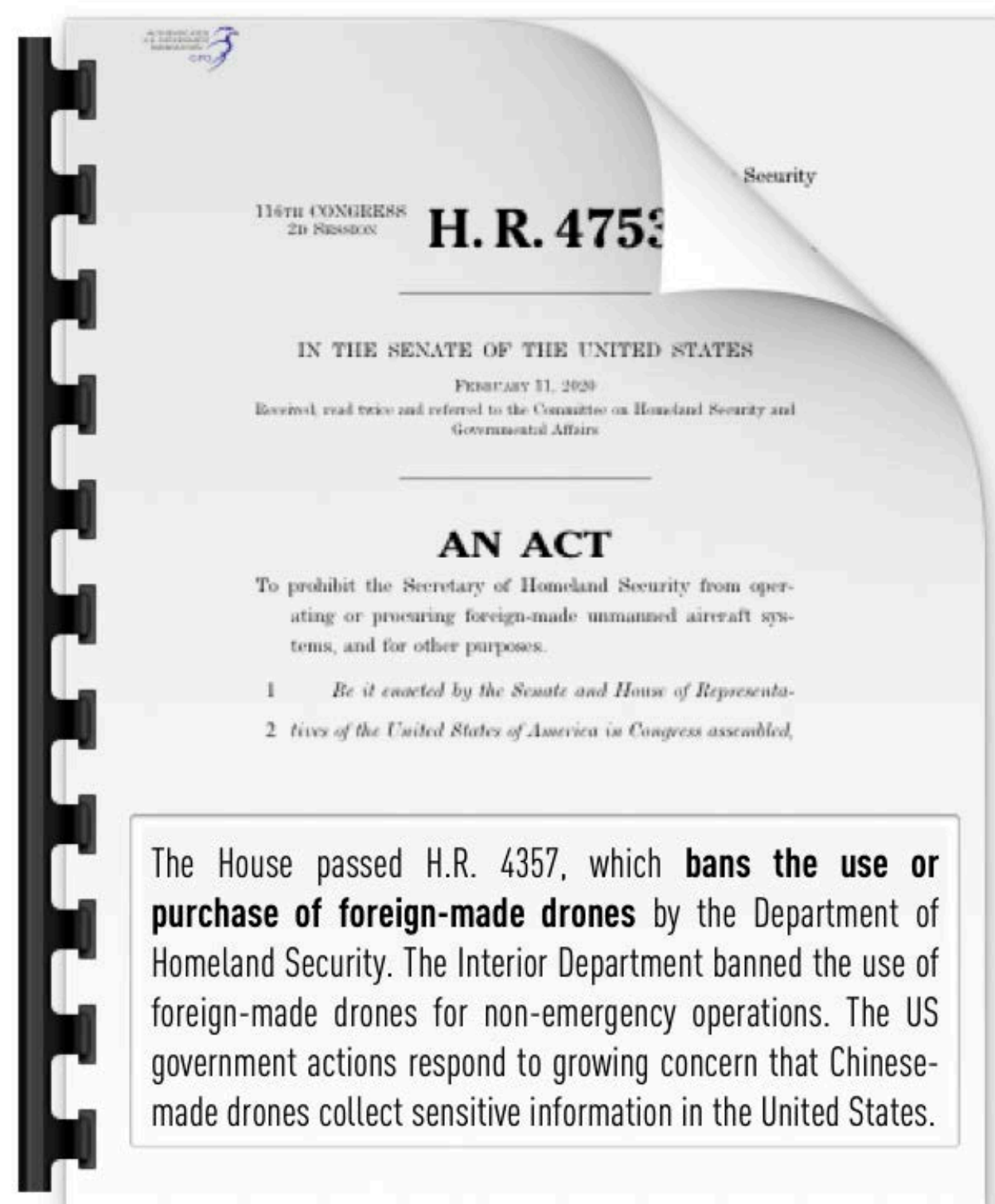
https://bit.ly/DJI_Patent_03

Compact Unmanned Rotary Aircraft
US Patent No. 9,260,184



Industry Shift Opportunity

This Act may be cited as the
“Drone Origin Security Enhancement Act”.



UPDATE

US is Preparing to Ban Foreign-Made Drones from Government Use
http://bit.ly/DF_05

Pentagon Seeking Patriotic Investors
to Fund American Small Drones

http://bit.ly/DF_02

The Pentagon is seeking to recruit investors to invest in American small drones to provide an alternative to Chinese models, the first effort under a new Defense Department program aimed at linking "trusted" sources of private capital with "innovative companies critical to defense industrial base and national security."



DHS Warns of 'Strong Concerns' that Chinese-Made Drones are Stealing Data
http://bit.ly/DF_01

In The Crosshairs: Chinese Drones a Target for US Ban as Security Risk
http://bit.ly/DF_03

The U.S. Interior Department Has Grounded Its Fleet of 800 Drones Fearing Chinese Surveillance
http://bit.ly/DF_04

Data is the New Oil of the Digital Economy

Data drives the world. In a matter of minutes drones can take to the sky and gather gigabytes of data.

Data is what's powering drones, AI, self-driving cars, robotics and every digital experience we have.

Data is generated everywhere, by all of us, and the organizations that make the best use of their data, will be the winners in their industries.



National Security Threat

New Directive By The US Government To Ban Foreign Made Drones Over Security Concerns



Drones & National Security

DHS warns of 'strong concerns' that Chinese-made drones are stealing data

By David Shortell, CNN

Updated 1:28 PM ET, Mon May 20, 2019



DJI's Inspire drone is seen at the 35th GITEX Technology Week at Dubai World Trade Centre on October 18, 2015 in Dubai, United Arab Emirates.

Washington (CNN) — Chinese-made drones may be sending sensitive flight data to their manufacturers in China, where it can be accessed by the government there, the US Department of Homeland Security warned in an alert issued Monday obtained by CNN.

The report does not name any specific manufacturers, but nearly **80%** of the drones used in the US and Canada come from China.



Drones & National Security



U.S. MILITARY

Pentagon seeking patriotic investors to fund American small drones

By Ryan Browne, CNN
Updated 6:53 PM ET, Mon August 26, 2019



An employee of Japan's toy maker Kyosho displays the world's smallest drone "Quatrox."

Washington (CNN) — The Pentagon on Monday said it was seeking to recruit investors to invest in American small drones to provide an alternative to Chinese models, the first effort under a new Defense Department program aimed at linking "trusted" sources of private capital with "innovative companies critical to defense industrial base and national security."

Ellen Lord, the Undersecretary of Defense for Acquisition and Sustainment, told reporters Monday that the Trust Capital Marketplace, as the program is officially known, will focus first on investment for small drones because it is a technology that everyone can understand and [Chinese companies currently dominate their manufacture.](#)

"People can understand what these small quad-copters are," Lord said, describing small drones that are lifted and propelled by four small rotary blades, akin to a helicopter.

Lord pointed to Chinese moves to flood the market with low-cost Unmanned Aerial Systems, the military term for drones, as one reason American investors are needed to fund US-based innovation.

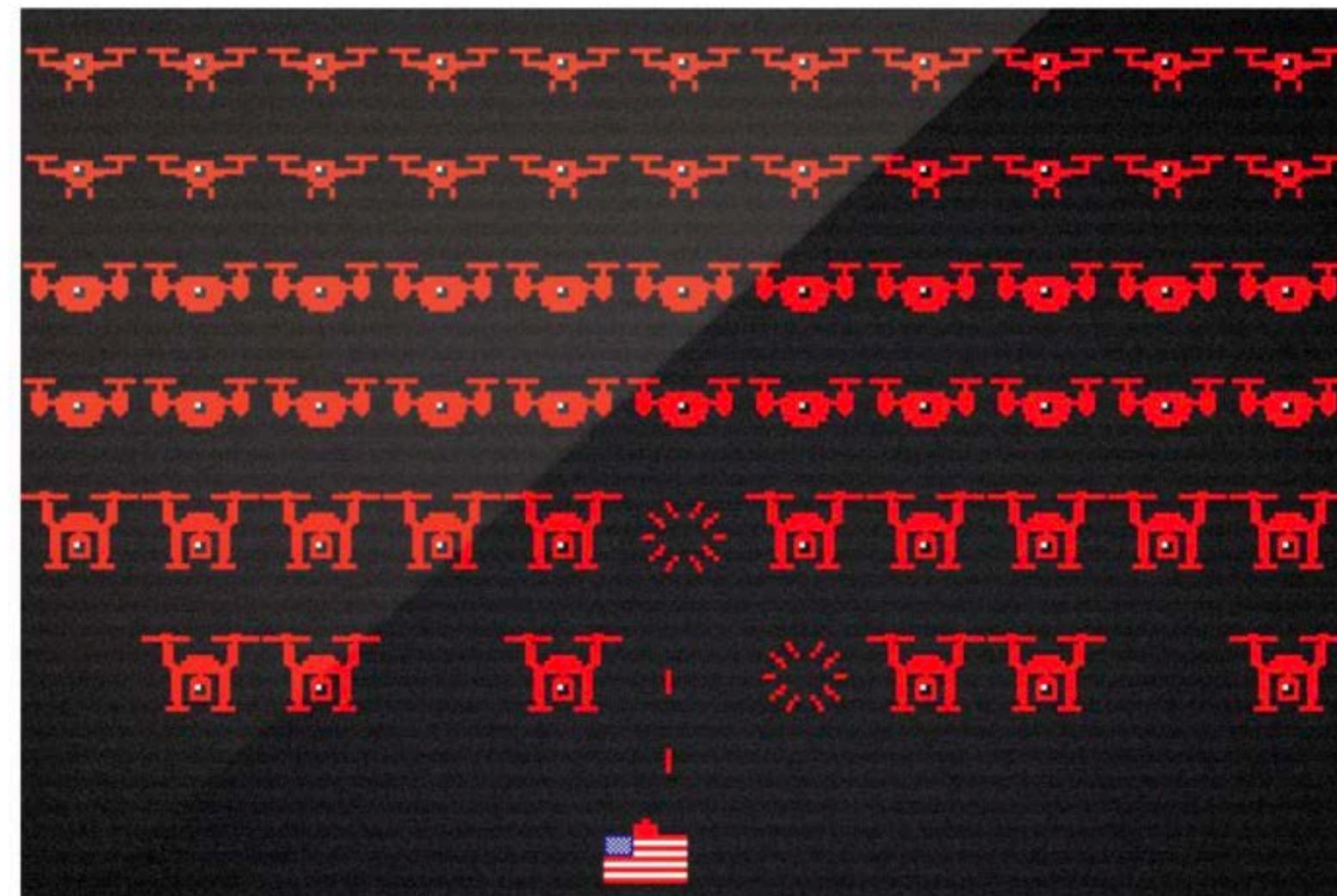
South China Morning Post

China

In the crosshairs: Chinese drones a target for US ban as security risk

- Shenzhen-based DJI, the global leader in drone technology, is confronted with several US efforts to prohibit the sale and use of its products
- In recent months, US lawmakers have introduced two dozen drone-related bills, many aimed at restricting Chinese drones and building up US industry

Mark Magnier
Published: 7:00am, 10 Dec, 2019



US lawmakers have introduced two dozen drone-related bills, many aimed at restricting Chinese drones and building up American industry. Illustration: Perry Tse

FORTUNE

INTERNATIONAL • DRONE

The U.S. Interior Department Has Grounded Its Fleet of 800 Drones, Fearing Chinese Surveillance

BY EAMON BARRETT
October 31, 2019 2:50 AM EST



Shenzhen drone maker DJI provides 15% of the DOI's 810 drones.
ZHANG PENG—LIGHTROCKET VIA GETTY IMAGES

On Wednesday, the Department of the Interior (DOI) grounded nearly its entire [fleet of drones](#) fearing the unmanned aerial vehicles (UAVs), which are mostly made in China, might pose a threat to U.S. national security.

The DOI, which is responsible for maintaining federal land, uses a fleet of 810 drones to help in tasks such as monitoring floods and fires, inspecting dams and property, and tracking endangered species. At least 15% of the drones used by the DOI are manufactured entirely by Shenzhen-based DJI, the world's largest supplier of drones, while the remainder are all made in China or contain China-made parts.

Revenue Streams

Contract Engineering



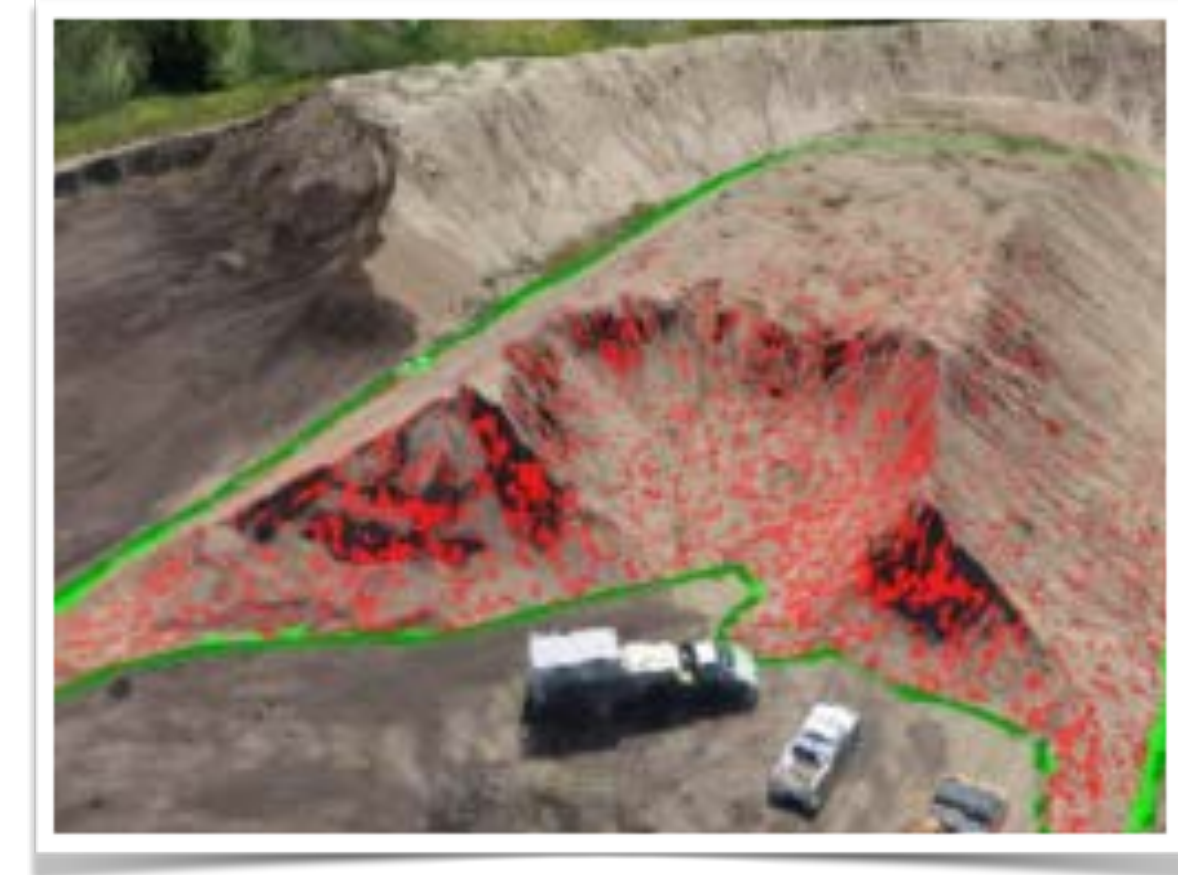
Product Development & Sales



Managed Services



Data Services



Contract Engineering



Contract Engineering DETECT ★ DEFEND ★ DELIVER

System Features

1. **Detect:** Detection by radar, vision or acoustic system then quickly approach hovering or moving threats.
2. **Classify:** Determine Terrorism Threat Level
3. **Neutralize:** Capture and Destroy



System Features

1. **Detect:** Detection by radar, vision or acoustic system.
2. **Classify:** Relay information to Border Patrol
3. **Capture:** Capture and destroy



Drone With 28lbs of Heroin



Drone Captured & Destroyed



System Features

1. **Order:** Base receives order for critical battlefield supplies.
2. **Launch:** Launch drones carrying critical payloads like blood.
3. **Receive:** Battlefield soldiers receive critical payloads.
4. **Return:** Drone automatically returns to base using Draganfly's proprietary flight control system.

Automated deliveries providing essential items to critically wounded military personnel as quickly as possible after an injury occurs. Delivering blood and medical products to remote locations to treat wounded troops on the spot. Delivering a five-pound package over 100 kilometres/62 miles in "austere environments"



Product Development & Sales

Draganfly **Commander**



Dragan **Scout**



Draganfly **Tango**



Quantix



Pre-Screening & Social Distancing System



Military ★ Public Safety ★ Enterprise Operator ★ Industry Training

Product Development & Sales

QUANTIX™

A VTOL HYBRID DRONE

Immediate in-field imagery on operating tablet upon landing

“As a leader in the commercial and first responder drone market, Draganfly is uniquely positioned to deliver the value of Quantix Mapper to customers in multiple market segments to help save lives, protect property, increase productivity and enhance safety.”

“Quantix Mapper represents the combination of drone operation, high-resolution imaging and geo-tagging into the first ‘drone as an app’ solution that makes data collection as easy as using a tablet computer.”

Rick Pedigo, VP Sales & Business Development
AeroVironment



Quantix™ is an innovative drone featuring a powerfully simple, automated flight and a unique, hybrid design that allows the aircraft to launch vertically and transition to horizontal flight; maximizing aerodynamic efficiency and range.

With the simple touch of a button, Quantix initiates a fully-automated takeoff, flight and landing, eliminating the learning curve so even first-time users can successfully operate the drone safely to collect meaningful data.



“Flying 400 acres in less than 45 minutes on one battery is remarkable. Programming flights by simply drawing a shape on a tablet screen map, selecting an altitude, and following a few prompts, is so easy.”

“Built in visual and multispectral sensors and the ability to take off and land almost anywhere, allow this drone to be used for a variety of applications right out of the box. Equally exciting, is the competitive price.”

Patrick Imbasciani, CEO
Draganfly



PROCEED
WITH
CERTAINTY



Product Development & Sales

Pre-Screening and Social Distancing Systems

Social Distancing Detection & Display System

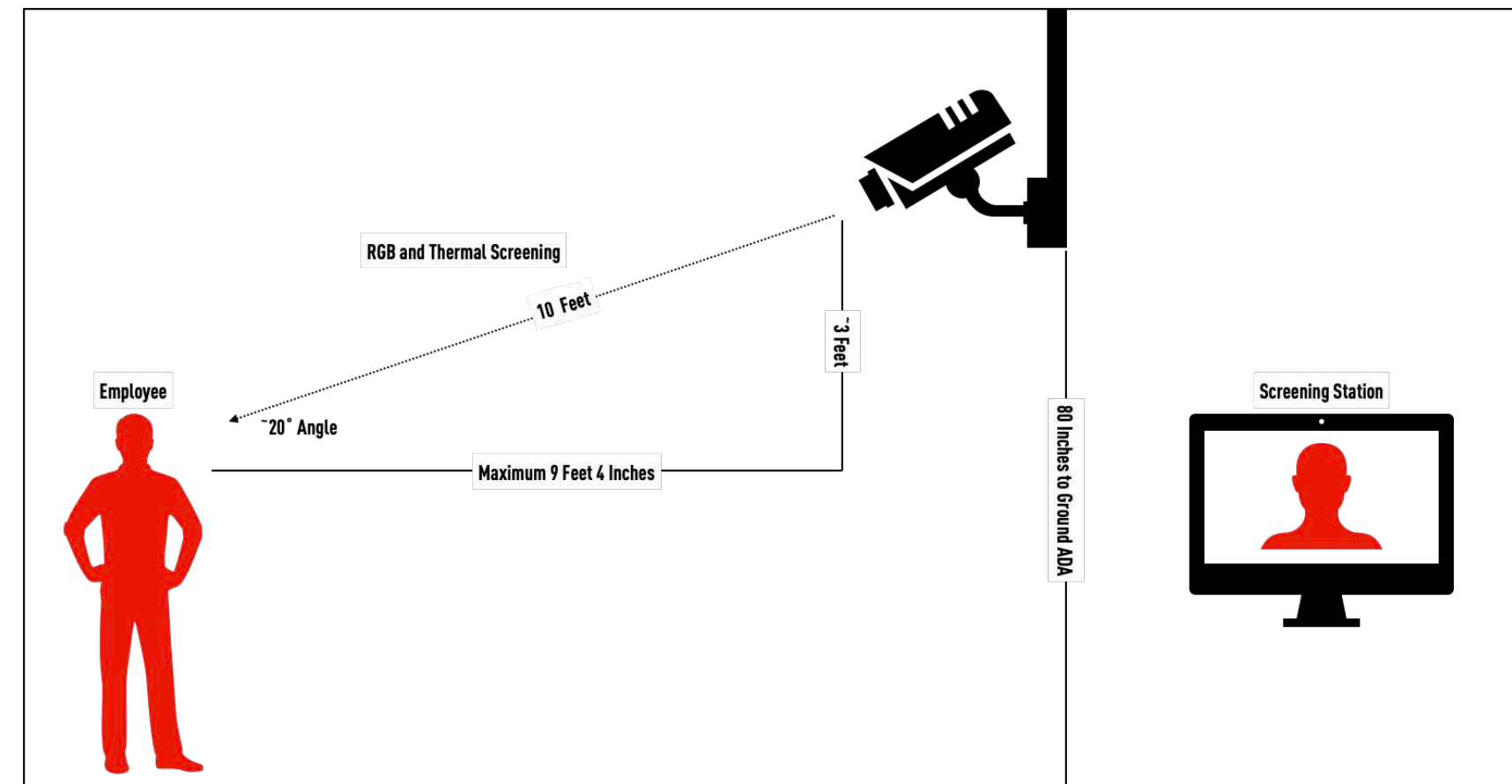
Indoor Social Distancing Detection



Outdoor Social Distancing Detection



Entrance Pre-Screening System



Mobile Pre-Screening Kiosk



Thermal Imager Smartphone Attachment



All Systems have Vital Intelligence AI Driven Deep Learning Software Pre-Installed



Managed Services

Custom Design & Manufacturing



Training Services



Flight Services



Data Integration, Storage & Security



Draganfly Managed Services Include

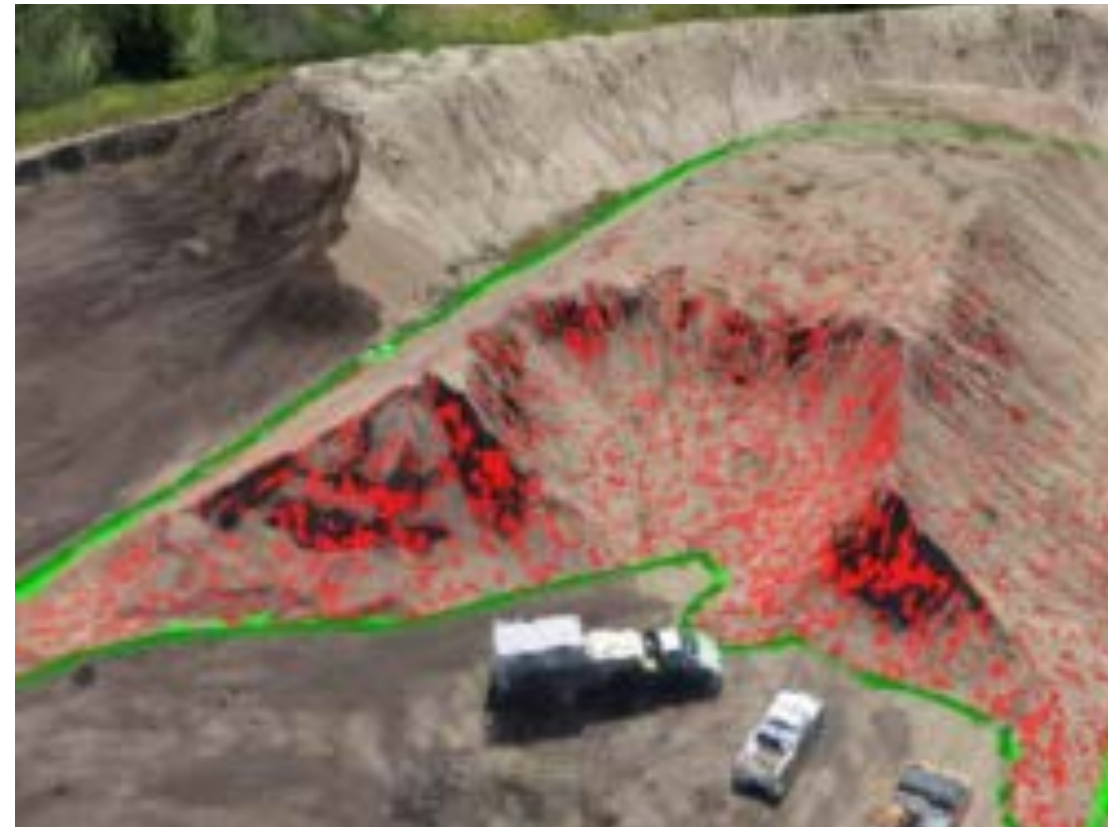
1. Initial planning, sourcing and asset procurement
2. Solution deployment and program management throughout all phases
3. Asset tracking, repair and maintenance

Data Services

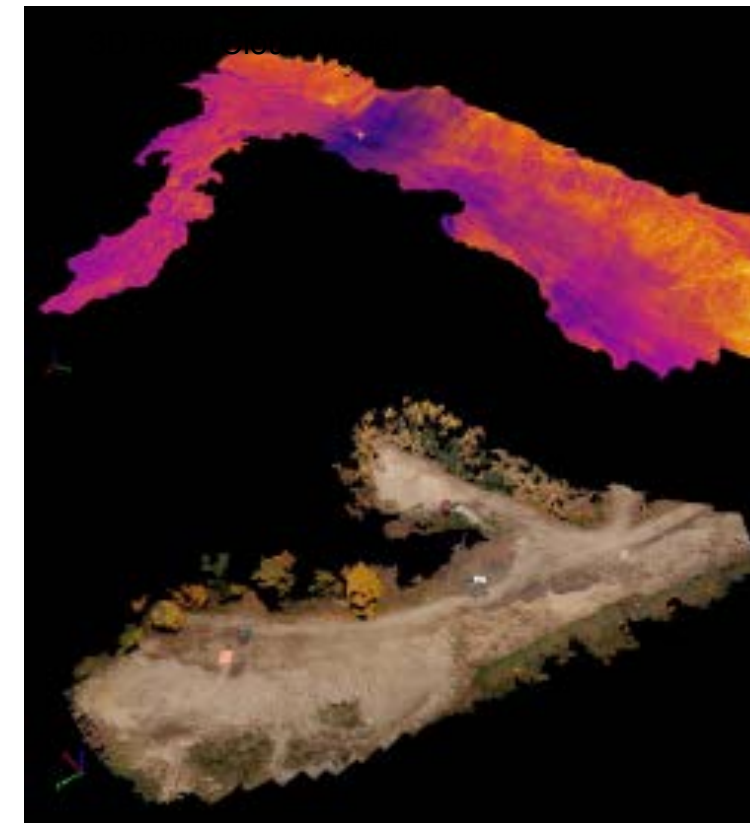
Orthomosaic with Scale Overlay Data



3D Point Cloud Model Data



Aerial Imaging Digital Data Collection



Thermal Infrared Inspection Data



Aerial Imaging Inspection Data



Customers

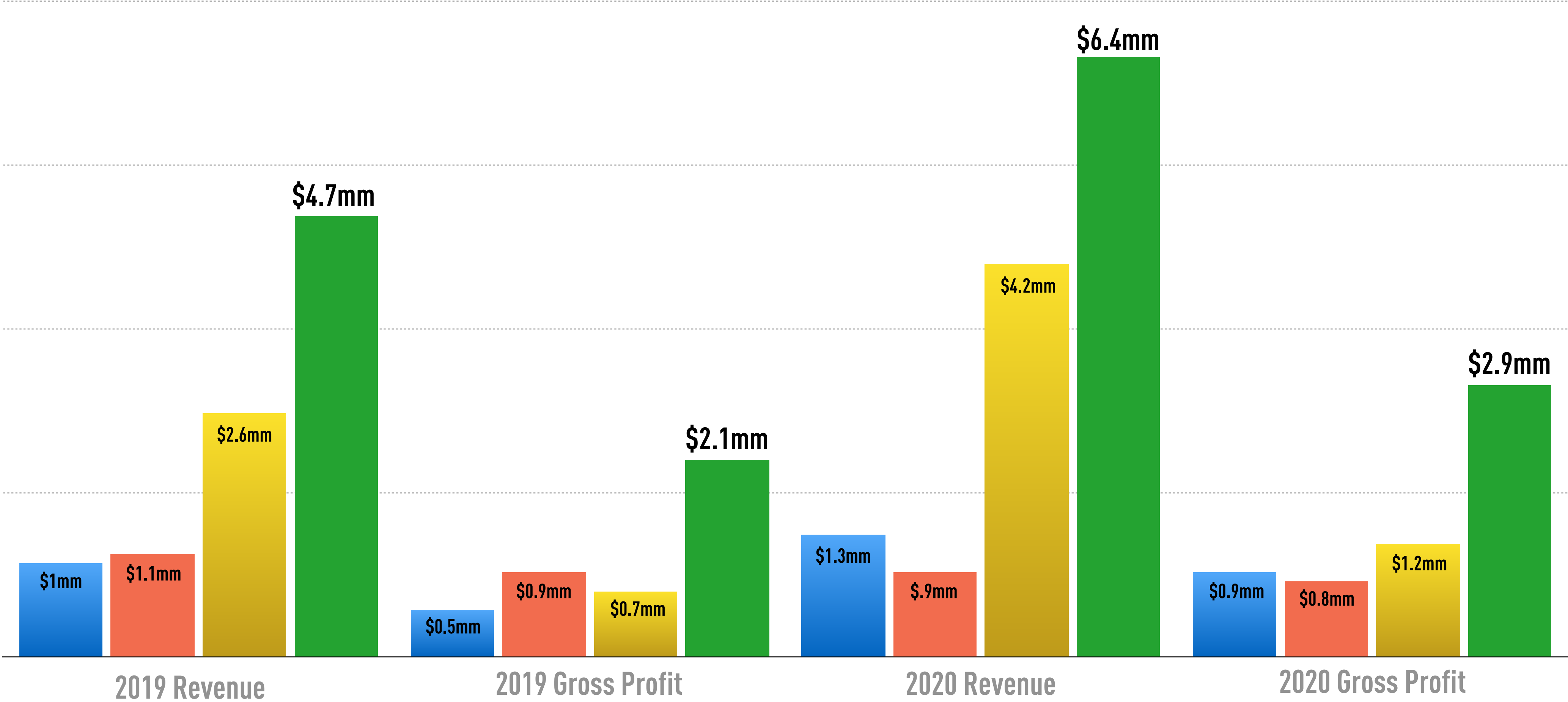
AV

AeroVironment™



Revenue and Gross Profit by Business Lines

■ Managed Services
 ■ Contract Engineering
 ■ Product Sales
 ■ Totals



Recent Announcements

[Draganfly Selected to Globally Integrate Breakthrough Health Diagnosis Technology Immediately onto Autonomous Camera's and Specialized Drones to Combat Coronavirus \(COVID-19\) and Future Health Emergencies](#)
(Mar 26, 2020)

[AeroVironment and Draganfly Announce Teaming Agreement for Distribution of Quantix Mapper to Commercial Markets](#)
(Mar 17, 2020)

[AMERICAN AIRLINES VICE PRESIDENT OF REGULATORY AFFAIRS AND FORMER POLITICAL APPOINTEE TO GEORGE W. BUSH AND REPUBLICAN GENERAL COUNSEL FOR HOMELAND SECURITY MOLLY WILKINSON JOINS DRAGANFLY BOARD OF ADVISORS](#)
(Mar 12, 2020)

[WINDFALL GEOTEK SELECTS DRAGANFLY TO DEVELOP DRONE BASED SOLUTION FOR LANDMINE DETECTION](#)
(Mar 10, 2020)

[Presidential Appointee and Former Assistant Secretary of Homeland Security Julie Myers Wood Joins Draganfly Board of Advisors](#)
(Mar 03, 2020)

[Cameron Chell, Chairman and CEO of Draganfly to be Featured on China Global Television Network \(CGTN America\) Segment Focused on Drones and the Coronavirus](#)
(Feb 27, 2020)

[Saskatoon Police Service Renews Agreement with Draganfly Marking Twelve Years of Continued Support](#)
(Feb 18, 2020)

[Draganfly Opens New Strategic United States Office on North Carolina State University's Centennial Campus](#)
(Feb 11, 2020)

[Draganfly Creates New Payloads for the University of Saskatchewan Resulting in 20 Times More Efficiency in Collecting Data](#)
(Feb 05, 2020)

[DRAGANFLY CONFIRMS NO MATERIAL UNDISCLOSED INFORMATION AND COMMENTS ON RECENT PROMOTIONAL ACTIVITIES](#)
(Jan 31, 2020)

[Draganfly Offers In-Person Flight Reviews for Transport Canada Advanced Operations Drone Pilot Certificate](#)
(Jan 30, 2020)

[Draganfly Releases New Payloads to Increase Efficiency and Data Collection Quality](#)
(Jan 22, 2020)

[DRAGANFLY INC. ENTERS INTO AGREEMENT TO ACQUIRE DRONELOGICS SYSTEMS INC.](#)
(Jan 16, 2020)

[Draganfly Inc. Announces OTCQB Listing and DTC Eligibility](#)
(Jan 09, 2020)

[DRAGANFLY COMPLETES ACQUISITION OF DRONELOGICS SYSTEMS](#)
(Apr 30, 2020)

[Draganfly to Host Virtual-Only Shareholder Update Call](#)
(Apr 28, 2020)

[Draganfly CEO Cameron Chell to be Featured on Fox Business With Liz Claman](#)
(Apr 28, 2020)

[DRAGANFLY CONFIRMS NO MATERIAL UNDISCLOSED INFORMATION AND COMMENTS ON RECENT PROMOTIONAL ACTIVITIES](#)
(Apr 24, 2020)

[Draganfly Concludes COVID-19 Social Distancing Test with Westport Police Department](#)
(Apr 24, 2020)

[Draganfly's 'Pandemic Drone' technology Conducts Initial Flights Near New York City to Detect COVID-19 Symptoms and Identify Social Distancing](#)
(Apr 21, 2020)

[Captain Larry Vincent, \(USN, Ret.\) Current Executive Officer, Defence CounterIntelligence Agency, and Former Operations Center Director for Naval and Marine Corps Forces in Europe and Africa Joins Draganfly Board of Advisors](#)
(Apr 16, 2020)

[Draganfly Board Member and Former Whitehouse Chief of Staff and US Secretary of Transportation, Andrew H. Card, Jr., to be featured on Newsmax](#)
(Apr 15, 2020)

[Former US Ambassador and Assistant Director-General of the World Health Organization on HIV/AIDS, Tuberculosis and Malaria Dr. Jack C. Chow Joins Draganfly Board of Advisors](#)
(Apr 08, 2020)

[Draganfly Board Member and Former Whitehouse Chief of Staff and US Secretary of Transportation, Andrew H. Card, Jr., to be featured on Cheddar.com](#)
(Apr 07, 2020)

[Draganfly to Webcast Live at VirtualInvestorConferences.com April 2nd](#)
(Apr 01, 2020)

[Draganfly Board Member and Former Whitehouse Chief of Staff and US Secretary of Transportation, Andrew H. Card, Jr., and Draganfly CEO Cam Chell to be Featured on Yahoo Finance](#)
(Mar 27, 2020)

Market Comparable



Pro-Forma Capital Structure

SHARES ISSUED & OUTSTANDING: 77,446,050

Market Capitalization: \$61.8M

Exponential Growth

2019 PROFORMA REVENUE 4.7M

GROSS PROFIT 2.1M

2020 PROJECTED REVENUE 6.4M

GROSS MARGIN 2.9M

All Amounts in CDN Dollars
As of April 30th, 2020



Pro-Forma Capital Structure

SHARES ISSUED & OUTSTANDING: 177,345,089

Market Capitalization: \$113M

2019 PROFORMA REVENUE \$0

All Amounts in CDN Dollars
Drone Delivery Canada Corp - From Most Recent Sedar Filing 9 months ending December 31, 2019

Capitalization Table

FULLY DILUTED CAPITALIZATION

Basic Shares Outstanding*	77,446,050
Warrants	13,701,499
Options	4,770,000
Restricted Share Units	3,550,000
Total Fully Diluted Shares	99,467,549
*Management & Directors	10,360,262

NOTE:

Warrants (1)	4mm - All Exercised (Exercise Price of \$0.10) February 20, 2021 Expiration
Warrants (2)	13,701,499 (exercise price of \$0.50) October 25, 2020 Expiration
Options (\$0.50 Exercise Price)	Vest One Third at Grant Date of October 29, 2019; One Third One Year after Grant Date; and One Third Two Years after Grant Date
Restricted Share Units	Vest One Third at Grant Date of October 29/19; One Third Two Years after Grant Date; One Third Three Years after Grant Date

draganFLY™

Paul Sun

paul.sun@draganfly.com
Draganfly Innovations Inc.
2108 St. George Avenue
Saskatoon, SK, Canada S7M0K7
Toll Free: 1-800-979-9794



draganFLY™

Cameron Chell

Direct Line: 1-310-658-4413
cameron.chell@draganfly.com
Draganfly Inc.
Toll Free: 1-800-979-9794

